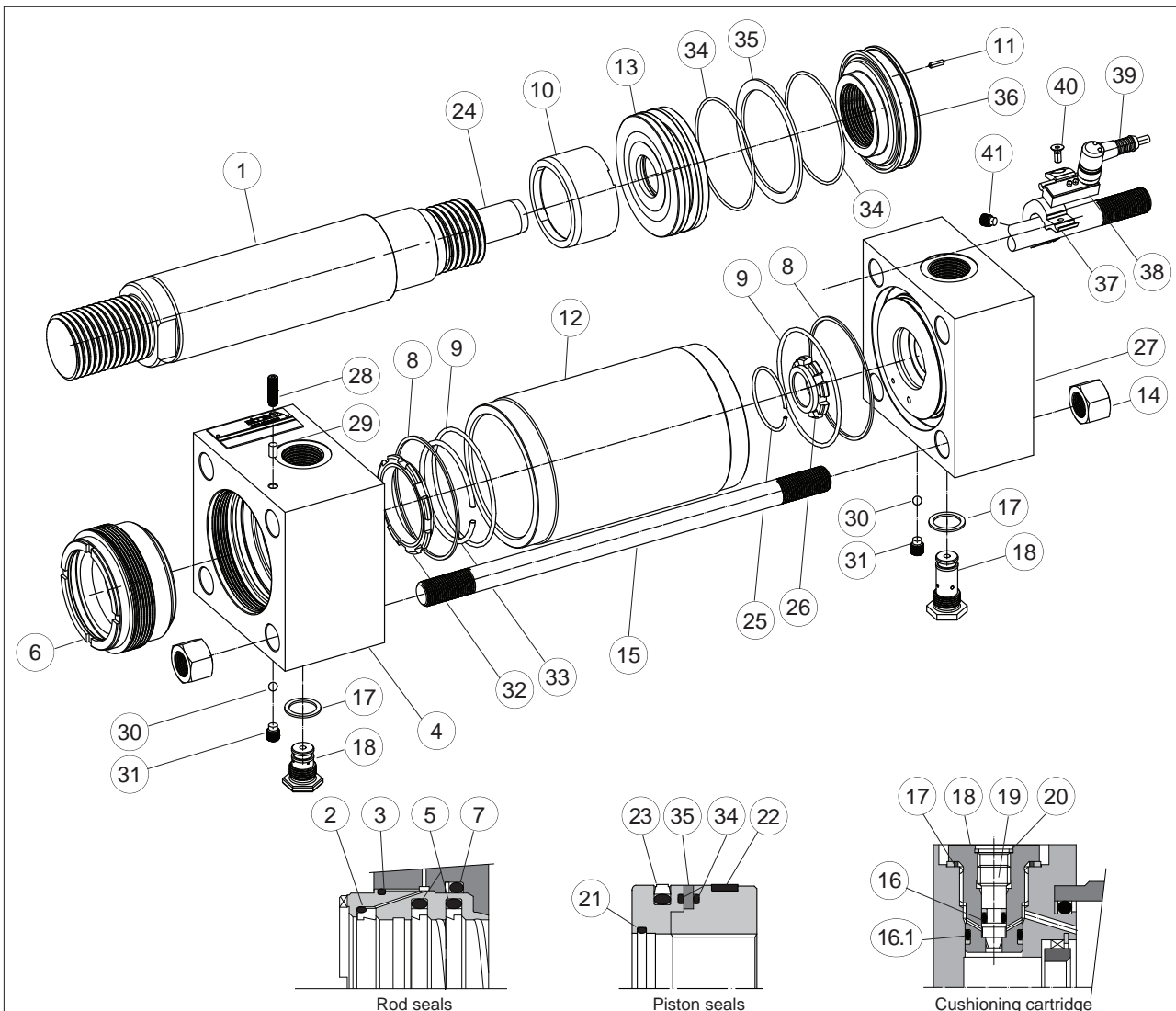


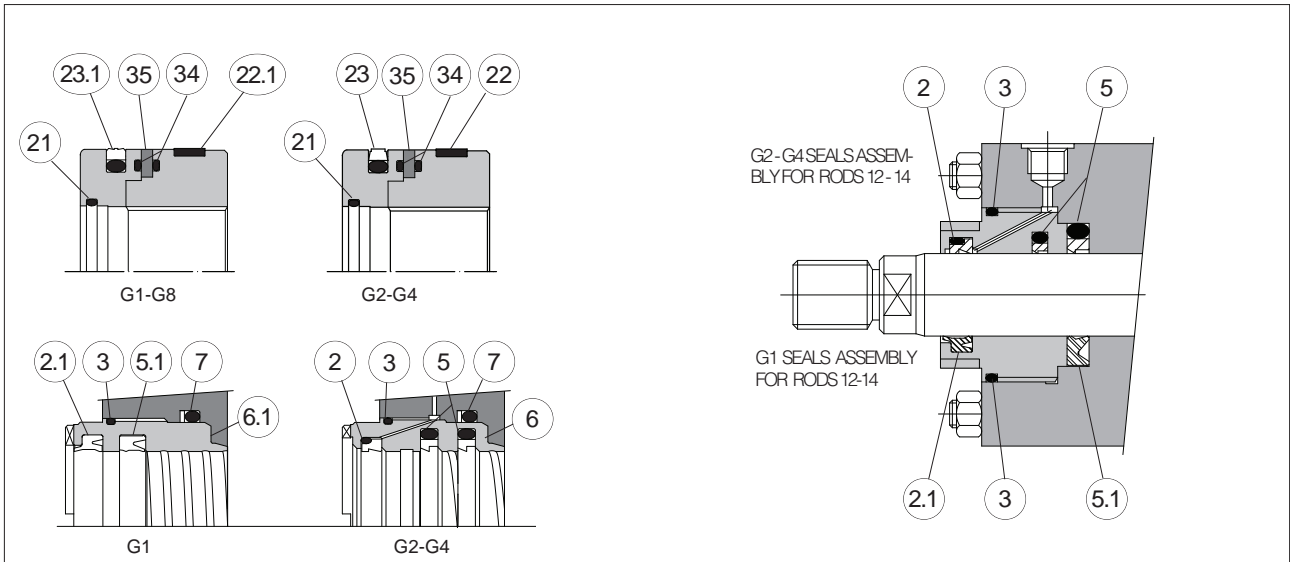
Spare parts for CKS cylinders

1 EXPLODED VIEW OF THE CYLINDER

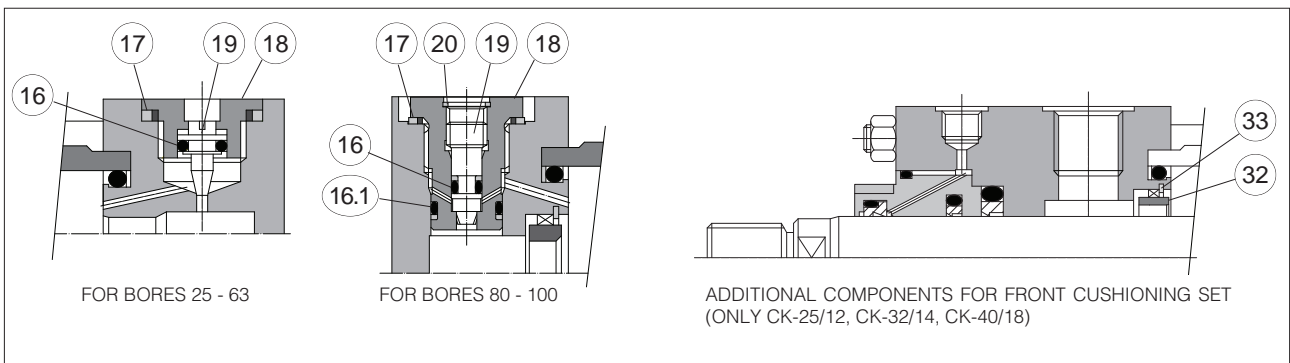


| POS | DESCRIPTION | POS | DESCRIPTION |
|------|--|-----|-------------------------------------|
| 1 | Rod | 21 | O-ring - piston |
| 2 | Wiper | 22 | Piston wear rings |
| 3 | O-ring + Antiextrusion ring - rod bearing | 23 | Piston seal |
| 4 | Front head | 24 | Rear cushioning piston |
| 5 | Rod seal | 25 | Toroidal ring - rear |
| 6 | Rod bearing - bronze | 26 | Cushioning sleeve - rear |
| 7 | O-Ring + Antiextrusion ring - Rod bearing | 27 | Rear head |
| 8 | Antiextrusion ring - cylinder housing | 28 | Grub screw - rod bearing locking |
| 9 | O-ring - cylinder housing | 29 | Teflon pad - rod bearing locking |
| 10 | Front cushioning piston | 30 | Steel sphere - air bleed |
| 11 | Locking pin - piston/rod | 31 | Grub screw - air bleed |
| 12 | Cylinder housing | 32 | Cushioning sleeve - front |
| 13 | Piston | 33 | Toroidal ring - front |
| 14 | Nut | 34 | O-ring - magnet |
| 15 | Tie-rod | 35 | Magnet |
| 16 | O-ring + Antiextrusion ring - cushioning screw | 36 | Piston |
| 16.1 | O-ring + Antiextrusion ring - cushioning cartridge | 37 | Proximity sensor clamp |
| 17 | Bonded seal | 38 | Proximity sensor |
| 18 | Cushioning adjustment cartridge | 39 | Connector - only for versions P & Q |
| 19 | Cushioning adjustment screw | 40 | Screw - sensor locking |
| 20 | Seeger | 41 | Grub screw - clamp locking |

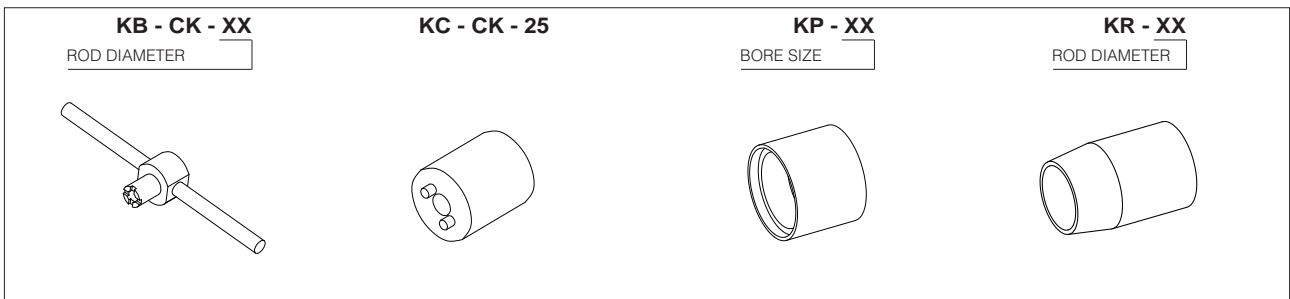
2 ROD AND PISTON SEALS



3 CUSHIONING CARTRIDGES



4 ASSEMBLING TOOLS



| ASSEMBLING OPERATION | CYLINDER SIZE | TOOL | TOOL DIMENSION | TORQUE [Nm] |
|---|----------------|------------------|-------------------------------|------------------------------|
| Rod bearing (pos. 6) assembling | Bores 25 - 100 | KB - CK - XX | According to the rod diameter | see table SP-B600, section 1 |
| Cushioning adjustment cartridge (pos.18) assembling | Bores 25 - 63 | KC - CK - 25 | - | 6,9 |
| | Bores 80 - 100 | Hexagonal wrench | 22 | 19,6 |
| Nuts (pos. 14) for tie rod assembling | Bores 25 - 100 | Hexagonal wrench | see table B137, section 8 | see table B137, section 8 |
| Grub screw (pos. 28) for rod bearing locking | Bore 80 | Allen key | 3 | 5 |
| | Bore 100 | | 4 | 6 |
| Grub screw (pos. 41) for proximity sensor clamp | Bores 25 - 100 | Allen key | 2,5 | 4 |
| Grub screw (pos. 31) for air bleed screwing | Bores 25 - 40 | Allen key | 2,5 | 4 |
| | Bores 50 - 100 | | 4 | 6 |
| Calibration of piston seal | Bores 25 - 100 | KP - XX | According to the bore size | - |
| Calibration of rod seals | Bores 25 - 100 | KR - XX | According to the rod diameter | - |

5 SPARE PARTS CODES

5.1 Seals

| ORDER CODE | POS | DESCRIPTION | G1 | G2-G4 |
|--|------|--|-------|-------|
| <p>G1 - CKS - 50 / 22</p> <p>G1 - v < 0,5 m/s G2 - v > 1 m/s G4 - v > 1 m/s</p> <p>BORE SIZE</p> <p>ROD DIAMETER</p> | 2 | Wiper - PTFE | | • |
| | 2.1 | Wiper - polyurethane (ISO 6195) | • | |
| | 3 | O-ring + Antiextrusion ring - rod bearing | • | • |
| | 5 | Rod seal - PTFE (ISO 7425) | | • [2] |
| | 5.1 | Rod seal - polyurethane (ISO 5597) | • | |
| | 7 | O-Ring + Antiextrusion ring - Rod bearing | • | • |
| | 8 | Antiextrusion ring - cylinder housing | • [2] | • [2] |
| | 9 | O-ring - cylinder housing | • [2] | • [2] |
| | 11 | Locking pin - piston/rod | • | • |
| | 16 | O-ring + Antiextrusion ring - cushioning screw | • [2] | • [2] |
| | 16.1 | O-ring + Antiextrusion ring - cushioning cartridge | • [2] | • [2] |
| | 17 | Bonded seal | • [2] | • [2] |
| | 21 | O-ring - piston | • | • |
| | 22 | Piston wear rings - PTFE | | • [2] |
| | 22.1 | Piston wear rings - phenolic resin | • [2] | |
| | 23 | Piston seal - PTFE (ISO 7425) | | • |
| | 23.1 | Piston seal - polyurethane (ISO 7425) | • | |

5.2 Rod bearings

| ORDER CODE | POS | DESCRIPTION | G1 | G2-G4 |
|---|-----|---|----|-------|
| <p>B1 - CK - 50 / 22 - 32</p> <p>B1 - G1 B2 - G2 B4 - G4</p> <p>BORE SIZE</p> <p>ROD DIAMETER</p> <p>SERIES NUMBER</p> | 2 | Wiper - PTFE | | • |
| | 2.1 | Wiper - polyurethane (ISO 6195) | • | |
| | 3 | O-ring + Antiextrusion ring - rod bearing | • | • |
| | 5 | Rod seal - PTFE (ISO 7425) | | • [2] |
| | 5.1 | Rod seal - polyurethane (ISO 5597) | • | |
| | 6 | Rod bearing | | • |
| | 6.1 | Rod bearing | • | |

5.3 Piston rod

| ORDER CODE | POS | DESCRIPTION | G1 | G2-G4 |
|--|------|---------------------------------------|-------|-------|
| <p>U - CK - 50 / 22 x 0500...</p> <p>COMPLETE CYLINDER CODE + SERIES NUMBER</p> | 1 | Rod | • | • |
| | 10 | Front cushioning piston (if selected) | • | • |
| | 11 | Locking pin - piston/rod | • | • |
| | 13 | Piston | • | • |
| | 21 | O-ring - piston | • | • |
| | 22 | Piston wear rings - PTFE | | • [2] |
| | 22.1 | Piston wear rings - phenolic resin | • [2] | |
| | 23 | Piston seal - PTFE (ISO 7425) | | • |
| | 23.1 | Piston seal - polyurethane (ISO 7425) | • | |

5.4 Cushioning

| ORDER CODE | POS | DESCRIPTION | Front F2 - F5 | Rear F1 |
|--|------|--|---------------|---------|
| <p>F1 - CK - 50 / 22 - 32</p> <p>F1 - rear cushioning F2 - front cushioning fast F5 - front cushioning slow</p> <p>BORE SIZE</p> <p>ROD DIAMETER</p> <p>SERIES NUMBER</p> | 10 | Front cushioning piston | • | |
| | 16 | O-ring + Antiextrusion ring - cushioning screw | • | • |
| | 16.1 | O-ring + Antiextrusion ring - cushioning cartridge | • | • |
| | 17 | Bonded seal | • | • |
| | 18 | Cushioning adjustment cartridge | • | • |
| | 19 | Cushioning adjustment screw | • | • |
| | 20 | Seeger | • | • |
| | 25 | Toroidal ring - rear | | • |
| | 26 | Cushioning sleeve - rear | | • |
| | 32 | Cushioning sleeve - front | • | |
| | 33 | Toroidal ring - front | • | |

5.5 Proximity sensors

| ORDER CODE | POS | DESCRIPTION | OPTION | | | |
|------------|-----|--|--------|---|---|---|
| | | | P | Q | R | S |
| DSM5C525 | 38 | Proximity sensor REED with connector | • | | | |
| DSM6N225 | 38 | Proximity sensor HALL effect with connector | | • | | |
| DSM1C525 | 38 | Proximity sensor REED with cable output | | | • | |
| DSM5C525 | 38 | Proximity sensor HALL effect with cable output | | | | • |
| DST-80 | 37 | Proximity sensor clamp (BORES 25 - 63) | • | • | • | • |
| DST-82 | 37 | Proximity sensor clamp (BORES 80 - 100) | • | • | • | • |